



# MX 9000

## MX 9000-40 SL

Min conductor	2 mm	0.080"
Max conductor	30 mm	1.200"
Max over insulation	40 mm	1.600"
Max tube die diameter	50 mm	2.000"

### Use

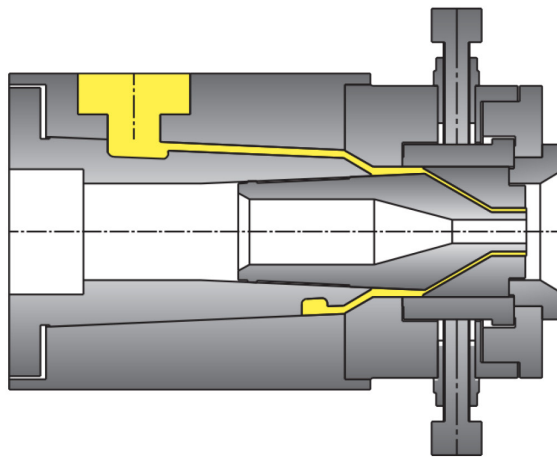
Insulation	Solid and stranded wires
Domain of use	Jacketing
	CATV - Coaxial cables
	Building wires
	Power cables
	Aerial drop cables
	Automotive wires
	Tubes
Compound	PVC / PE / PA / LSZH ...

## Characteristics

## MX 9000-40 SL

MX	Manual centering (+ possibility of fixed centering)
SL	Single Layer
Distribution mono-flow	Conical distribution cartridge Easy to clean-no holes or slots-no dead spots Constant and smooth compound flow No stress and no shear in the melted compound
Gum Space	Axial die adjustment

## Design



## Options

Connections	Connecting flanges for any type of extruder
By pass	Manual - Pneumatic - Hydraulic
Distributors	Special distribution cartridges for LSZH, PA ...
Tooling	Hardened steel Semi-compression - Tube Design recommendation on request
Accessories	Vacuum adapter Assembly and disassembly cleaning kit Trolley with adjustable height
Spare parts	Permanent stock, shipment within 24 hours
Services	Microdia answers your request within 24 hours Technical assistance - Engineering - Commissioning

